

# ROOM THERMOSTAT - TLX 4000

## Product Specification and Wiring Details



### KEY FEATURES

- Simple operation and installation.
- Large easy to use temperature adjustment dial.
- Change-over switch configuration suitable for Heating and Cooling applications.
- 2 wire connection, ideal for Combi Boilers.
- Adjustable range stops.
- Stylish design.

The Sunvic TLX 4000 Series is a range of electromechanical room thermostats. Robust in construction yet maintaining a stylish appearance for the modern home. A large diameter dial makes temperature adjustments easy. The special pin stop system enables the installer to limit the set point range if required.

Accurate temperature sensing is achieved by means of vapour filled bellows giving good thermal response and temperature differential. Suitable for heating and cooling applications such as wall boilers and fan coil units. The TLX 4102 has an integral indicator lamp which can be wired in a variety of configurations to suit the installer. 2 wire connection is particularly suitable for Combi Boiler applications.



**SUNVIC**  
**CONTROLS**  
01698 812944  
WWW.SUNVIC.CO.UK

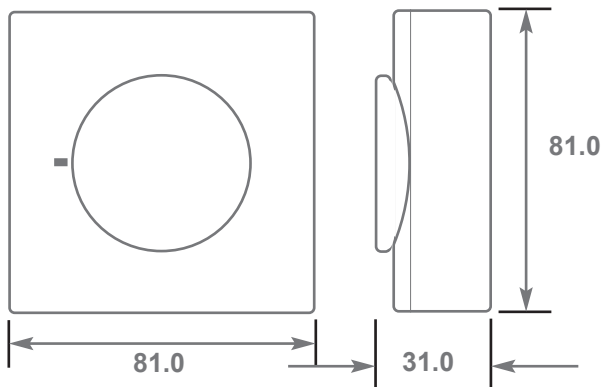
# ROOM THERMOSTAT - TLX 4000

## MODEL

## DESCRIPTION

TLX 4101	Electro-mechanical room thermostat with gas filled bellows. Change-over contacts.
TLX 4102	Electro-mechanical room thermostat with gas filled bellows. Change-over contacts and indicator lamp.

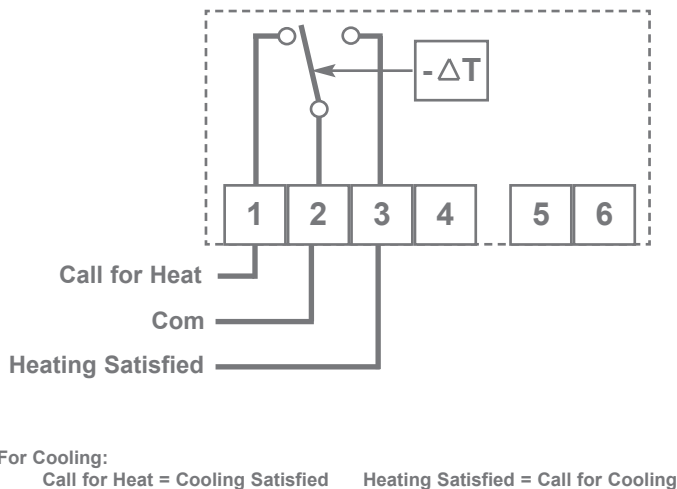
## DIMENSIONS



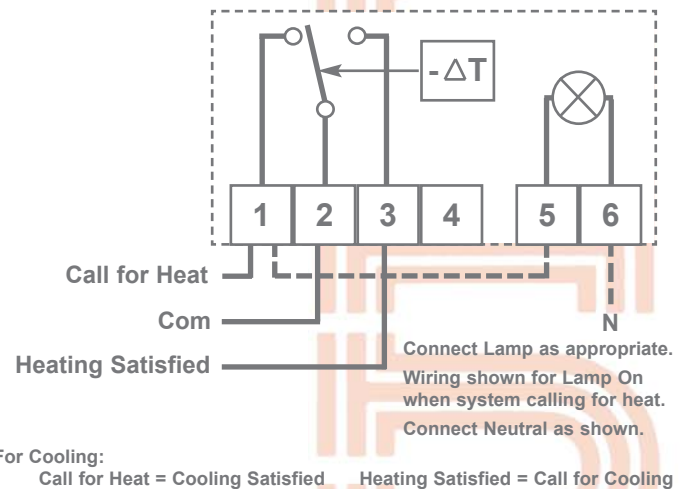
## TECHNICAL SPECIFICATION

Switch Rating:	230V AC 4 Amps
Switch Type:	SPDT (change-over)
Sensing Element:	Vapour pressure
Temperature Range:	8° to 30° C
Differential:	< 1° K
TLX 4102 Lamp:	230V operation
Range Limit Stops:	Special pin stops
Insulation Class:	Double insulated

## WIRING DETAILS - TLX 4101



## WIRING DETAILS - TLX 4102



## INSTALLATION & CONFIGURATION

The TLX 4101 and 4102 can be surface mounted or fitted to a single UK conduit box. No neutral connection to the room thermostat means that only 2 wires are required making it ideal for combi boiler installations.

The TLX 4102 has a built in indicator lamp which can be wired in a variety of configurations depending upon application, giving maximum flexibility to the installer. The vapour filled bellows sensing mechanism is robust and accurate.

A large 81 mm square footprint enables the unit to replace most makes of room thermostats without the need for decoration touch-up.

SUNVIC CONTROLS LTD,  
Bellshill Road, Uddingston, Glasgow G71 6NP, Scotland  
Tel: +44 01698 812944 Fax; +44 01698 813637 email: sales@sunvic.co.uk  
Technical Helpline 01698 810 945



**SUNVIC**  
**CONTROLS**  
**01698 812944**  
**WWW.SUNVIC.CO.UK**