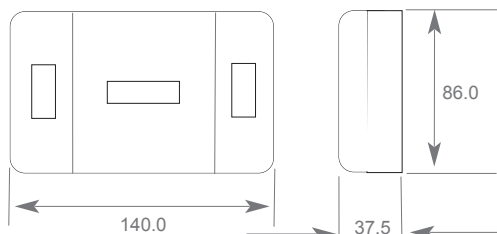


SELECT XL PROGRAMMERS

MODEL DESCRIPTION

- SELECT 107XL** Single Channel Electronic Timeswitch. Select switch for 24 hr, 5/2 day or 7 day operation, 3 on/off periods per day, suitable for combi boilers.
- SELECT 207XL** Two Channel Electronic Programmer. Select switch for 24hr, 5/2 day or 7 day operation, 3 on/off periods per day. Independent control of central heating and hot water. Suitable for fully pumped and gravity fed systems.

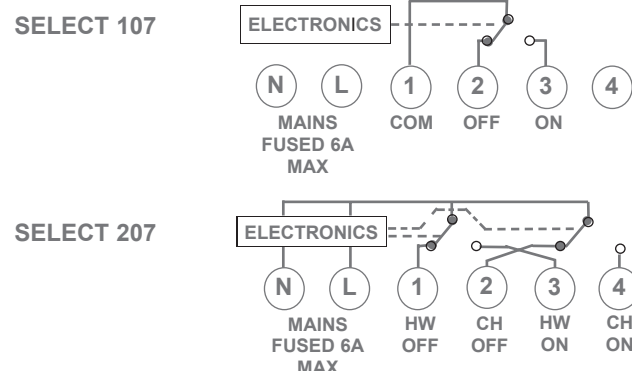
DIMENSIONS



TECHNICAL SPECIFICATION

Power Requirements: 230V AC 50Hz
Switch Rating: 230V AC 50Hz, 6(2)A *
Ambient Temp: 0-40°C
Battery Type: 3V Lithium Battery CR2032
 * Especially suitable for Oil Fired Boilers

WIRING DETAILS



BUILT IN PROGRAM

	Mon-Fri	Sat-Sun
1st on	6.00 am	7.00 am
1st off	8.30 am	9.00 am
2nd on	4.30 pm	4.30 pm
2nd off	10.30 pm	11.00 pm

If unit is installed as a 24hr programmer the built-in program will be the same for each day (as weekdays)

INSTALLATION & CONFIGURATION

The wall plate used by both Select models follows the industry standard pattern, making the unit ideal for upgrades, fitting directly onto existing backplates without wiring changes. There is also a convenient factory built in program which reduces installation time and provides the user with convenient switching times, which can be further customised to suit their lifestyle. Temporary changes to regular programmes can be made instantly by means of easily accessible 1 - hour Boost and Advance buttons. Long-life lithium batteries retain timing and programme memory in the event of mains power failure.

The Select 107XL Timeswitch, with voltage free output contacts, is ideal for use with combi boilers plus many other single circuit and low voltage applications.

The Select 207XL is a 2 - channel, flexible electronic Programmer, with 3 daily On/Off's, that provides completely independent control of both heating and hot water. Separate Boost and Advance facilities apply to both channels. A simple switch selects either gravity or fully pumped functions.

SUNVIC CONTROLS LTD,
 Bellshill Road, Uddingston, Glasgow G71 6NP, Scotland
 Tel: +44 01698 812944 Fax; +44 01698 813637 email: sales@sunvic.co.uk
 Technical Helpline +44 01698 810 945



**SUNVIC
 CONTROLS**
 01698 812944
 WWW.SUNVIC.CO.UK

SELECT XL PROGRAMMERS

Product Specification and Wiring Details



KEY FEATURES

- Patented 'Energy Saver' increases 3-Port spring return valve life and reduces energy consumption (See over)
- "Select" switch for 24hr, 5/2 day or 7 day operation
- Illuminated Display
- 6(2)A Switch Rating, ideal for Oil-fired Boilers
- Industry standard backplate
- 1 hour boost and advance facility
- Three on/off settings

Sunvic's two classic time controls have been further improved. Now with 3 on/off time settings and an illuminated display the Select 107XL Time switch and Select 207 Programmer have never been easier to use. With just two electronic time controls, Sunvic have made it extremely easy for installers to satisfy the timing requirements of virtually every domestic central heating system. Both the Select 107XL and Select 207XL allow the choice of either 24 hour, 5/2 day or 7 day programming, making them the last word in versatility and easy handling and a 6 Amp rating is ideal for those oil-fired installations. There is no longer any problem in finding the right time control.

Just SELECT the model - Timeswitch 107XL or Programmer 207XL, SELECT the desired timing mode with a simple slider switch at the back of the unit and install.



**SUNVIC
 CONTROLS**
 01698 812944
 WWW.SUNVIC.CO.UK

3 Port Spring Return Motorised Valves - Inherent Reliability Problem

If HW switches off before CH the valve motor will be on ALL Night! (All Makes)

The Inherent Reliability Problem Explained

Instantly Improve System Reliability.

Tired of reliability issues with 3 Port Spring Return Motorised Valves?
Constantly replacing valve motors or power-heads?



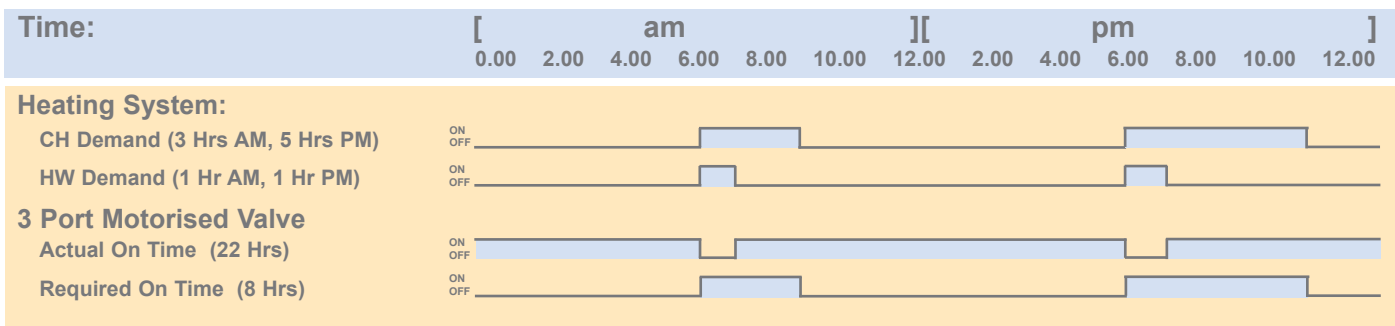
The Reliability of all makes of 3 Port Spring Return Motorised Valves can be severely reduced by the hot water/space heating switching sequence used.

If the valve is in CH position when the heating is switched off it will stay in that position until the system next calls for hot water. This situation occurs very frequently as hot water demands are usually satisfied before space heating switches off.

IN THE CH POSITION THE MOTOR IS ALWAYS ON! Even if the heating system is off!

This is true for all types of 3 Port Spring Return Motorised Valves irrespective of make.

The valve motor will be powered on all night if the CH demand is the last to be satisfied during the evening. To demonstrate the effect this could have on the life of the motor and other components in the valve power-head let's look at a typical example.



Every 24 hours the Motorised Valve is on for 22 hours when it only needs to be on for 8 hours.

This severely shortens the life of the motor and other internal components.

How can this problem be eliminated?

Fit a Select 207XL and leave the 3 Port Valve in place.

Control More Than On / Off Times

Sunvic's New SELECT 207XL Takes Control of All Makes of 3 Port Spring Return Valves.

Using ingenious, patented, internal circuitry the Select 207XL Programmer switches off the valve when it is not required significantly extending the life of the motorised valve.



- ✓ Instant Reliability Improvement
- ✓ Reduce Motor On Time by over 60%
- ✓ Increase life of motor and other internal components
- ✓ Significantly Reduce Motor Replacement Call Outs
- ✓ Save Energy (see below)

In the example overleaf the installation of a Sunvic SELECT 207XL will ensure the valve is only on when it is needed i.e. 8 hours not 22 hours significantly prolonging the life of the valve.

Save Energy Too!

Most Motorised Valves use a 5 Watt synchronous motor.
Reducing the motor on time from 22 hrs to 8 hrs saves 70 Watts per day.
That's over 16KwHrs per year

STOP REPLACING THE WEAKEST LINK

FIT SELECT 207XL